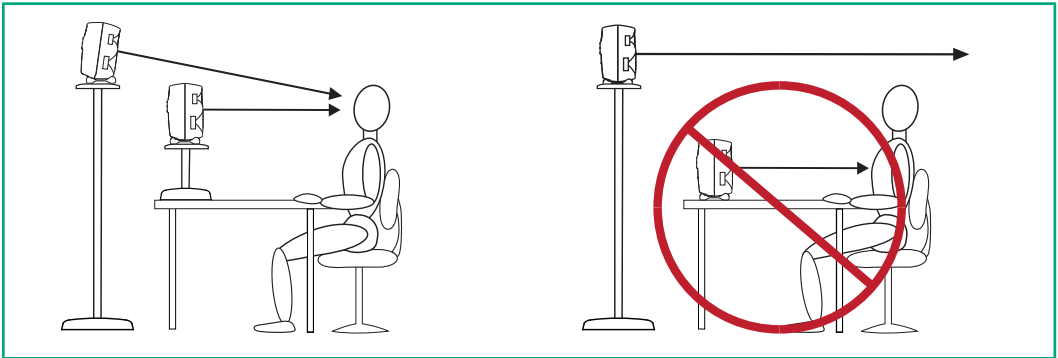
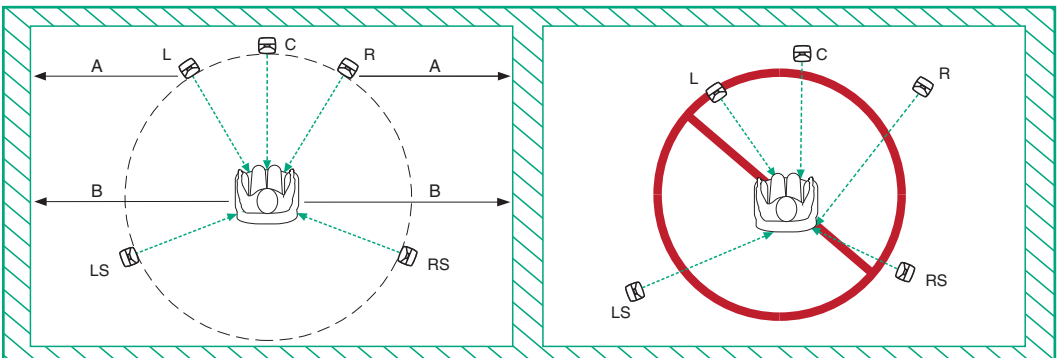


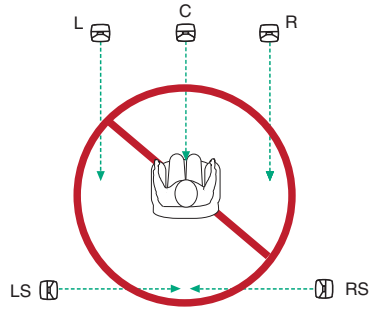
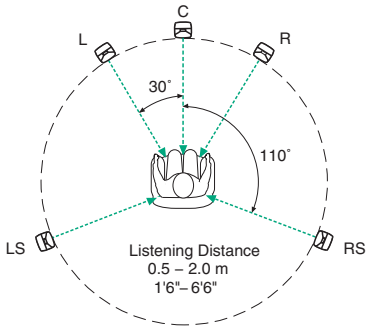
Speaker Placement



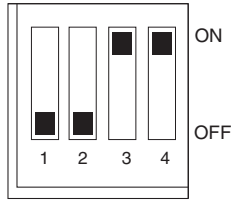
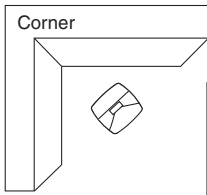
Vertical Angle



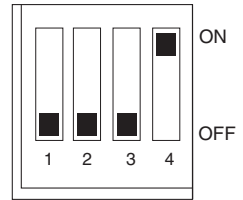
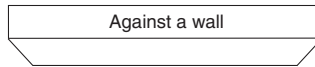
Symmetry of Room Installation



Speaker Angle and Distance



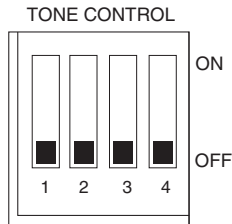
-6 dB Bass Tilt



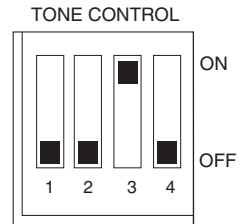
-4 dB Bass Tilt

Using Tone Controls

Free standing in a damped room



Free standing in a reverberant room



-2 dB Bass Tilt

Suggested Tone Control Settings