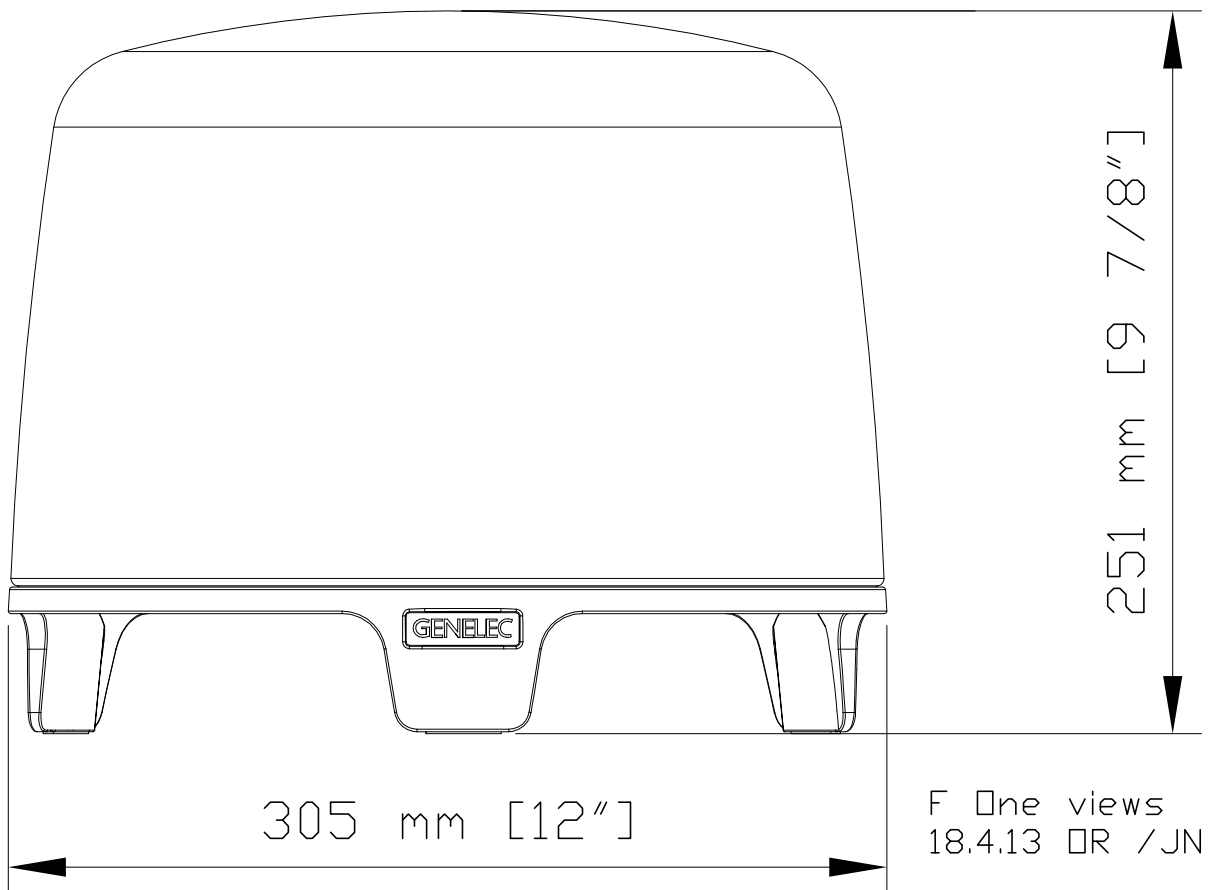


M4, depth 10 (3 pcs)

PCD $\varnothing 289.5$ mm [$\varnothing 11 \frac{3}{8}$ "]



F One views
18.4.13 DR /JN