

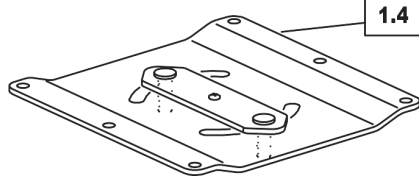
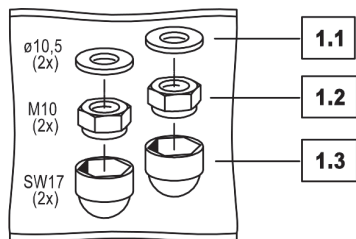
S360-465B Ceiling mount plate for U-bracket mounting for S360

Instruction manual

1. Scope of delivery

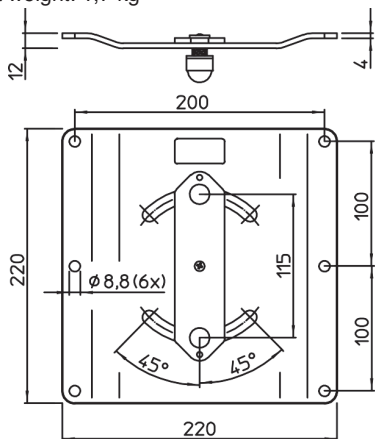
Please check if all the components are there and o.k.

- 1.1 - washers \varnothing 10,5/21 mm (2x)
- 1.2 - locking nuts M10 (2x)
- 1.3 - caps SW17 (2x)
- 1.4 - ceiling bracket cpl.



5. Dimensions

net weight: 1,7 kg



GENELEC Oy
Olvitie 5, Fin-74100 Iisalmi, www.genelec.com
24459-000-56 Rev.02 03-80-364-00 12/18

3. Ceiling mount installation

Please determine ceiling fastening.

Different ceilings like:

- 3.a concrete, full brick
- 3.b wood
- 3.c perforated bricks, drywall and others need different anchors. In case ask an expert.

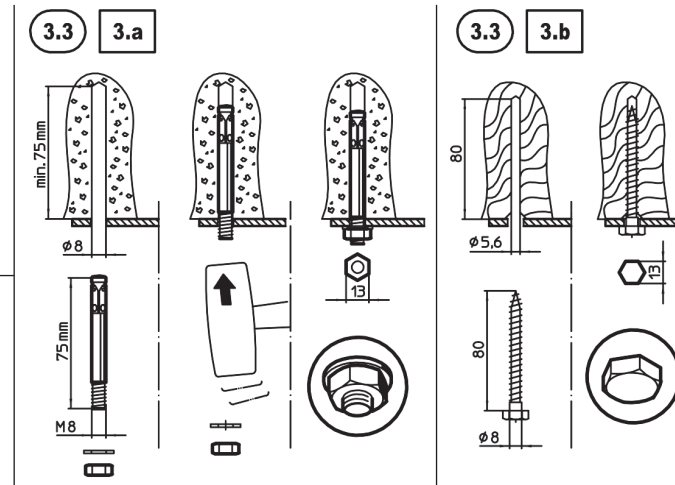
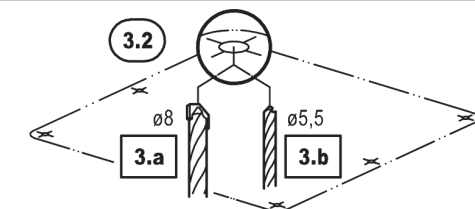
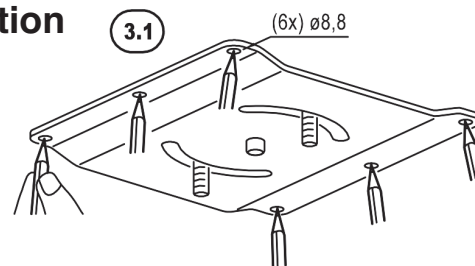
3.1 Adjust ceiling plate; mark drilling holes

3.2 Drilling of the holes / OPTIONS

- 3.a Universal anchor: \varnothing 8 - hole: \varnothing 8,0 mm
 - 3.b Wood screw: \varnothing 8 - hole: \varnothing 5,5 mm
- Blow out holes and place anchors if needed

3.3 Bolt down the ceiling plate.

Use six screws (and compatible anchors if needed).

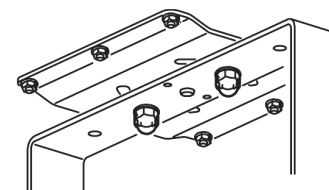
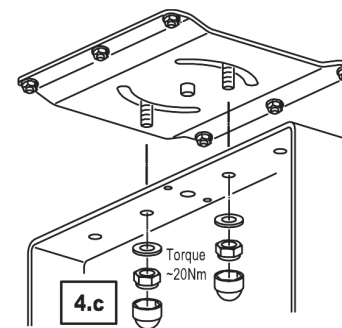
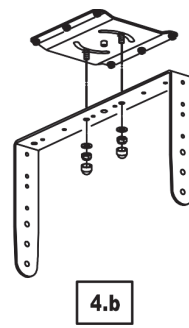
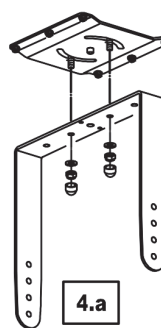


4. U-bracket installation

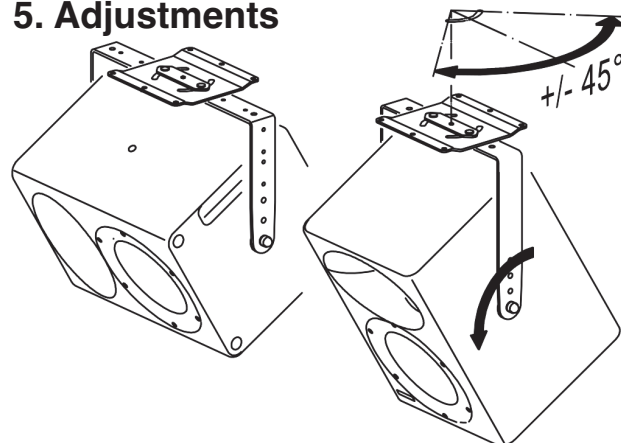
Bolt the U-bracket (4.a or 4.b) to the ceiling mount plate (1.4)

- 4.a S360-450B (side-side)
- 4.b S360-424B (top-bottom)

4.c Use the screw set of the ceiling mount plate (1.4):
- washers (1.1),
- locking nuts (1.2), 17 mm
- end caps (1.3).



5. Adjustments



Safety instructions

- For GENELEC S360 - via U-brackets S360-450B (Side-side) or S360-424B (Top-bottom)
- Check for damage prior to and after use. Damaged mounts may not be used again.
- Not suitable for outdoors or moist rooms.
- Observe the local mounting regulations (they may deviate from the examples presented here).
- Only mount on suitable ceilings with the corresponding assembly material (not included in the delivery). Not suitable are fragile ceilings. Beware of power supply lines and water conduits. In case ask an expert.
- Only use trained technicians to assemble the system.
- Ensure that the screws are tight and load-bearing and inspect bolted assemblies periodically
- The placement of the loudspeakers requires two physically fit qualified technicians.
- Careful and attentive handling is required when tilting the monitor and also adjusting the direction
- External influences such as bumping into the loudspeakers, brushing into the loudspeakers, things thrown at the loudspeaker, wind etc. represent a risk and must be avoided. Measures: Compliance with safety distances, keeping unauthorized persons at a distance, if needed put safety cordons.
- Please observe also enclosed document GENERAL SAFETY & MOUNTING NOTES
- The instructions provide directions to all of the important setup and handling steps. We recommend, you keep these instructions for future reference.