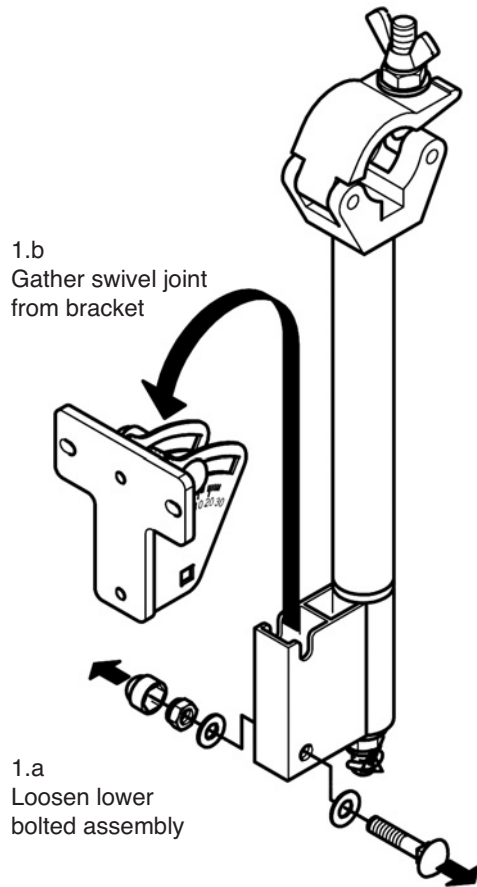


TRUSS-CLAMP MOUNT for GENELEC 8020A, 8030A, 8040A, 8050A

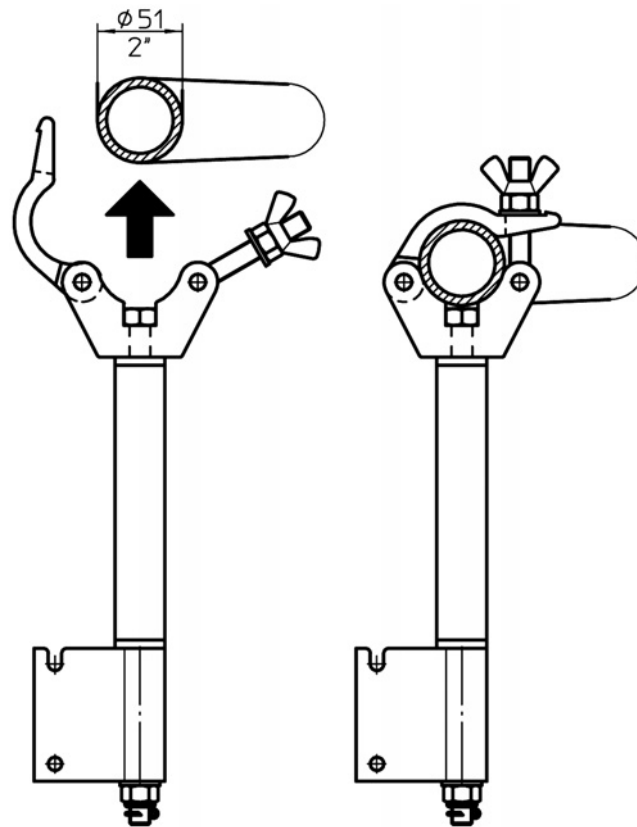
max. load 15 kg, easy handling,
adjustable direction and angle

instruction manual

1. separate swivel joint from bracket

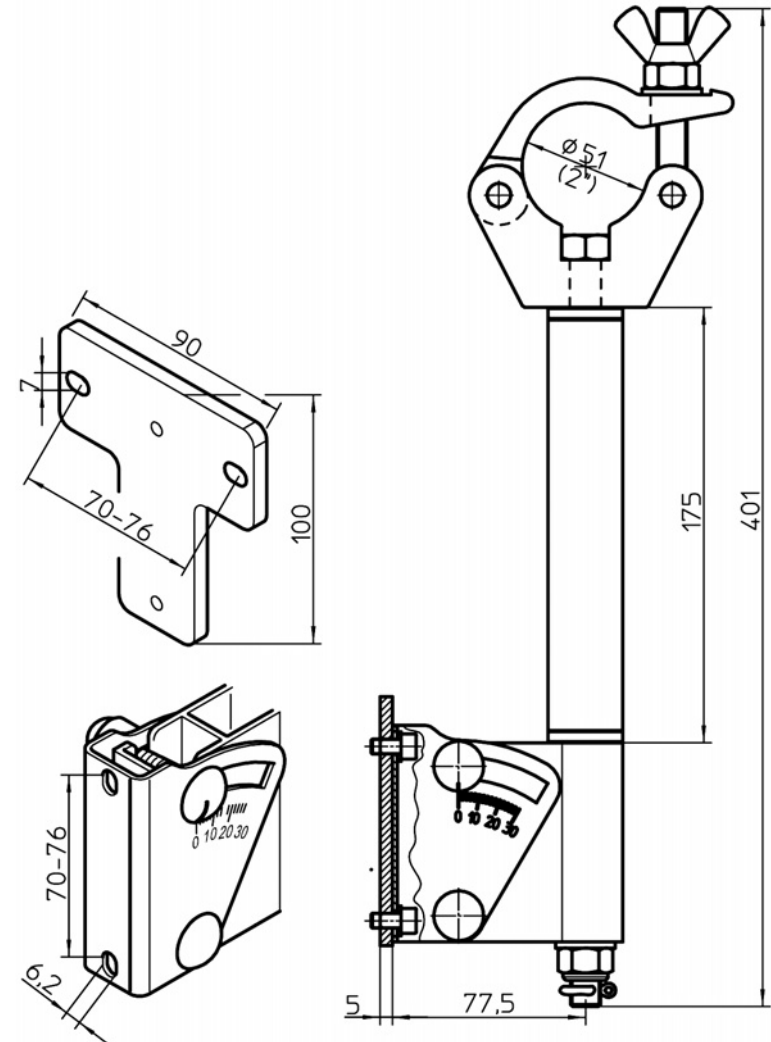


2. tighten truss clamp to adequate frame-tube ($\varnothing 51$ mm/2")



3. dimensions

Weight: 1.6 kg

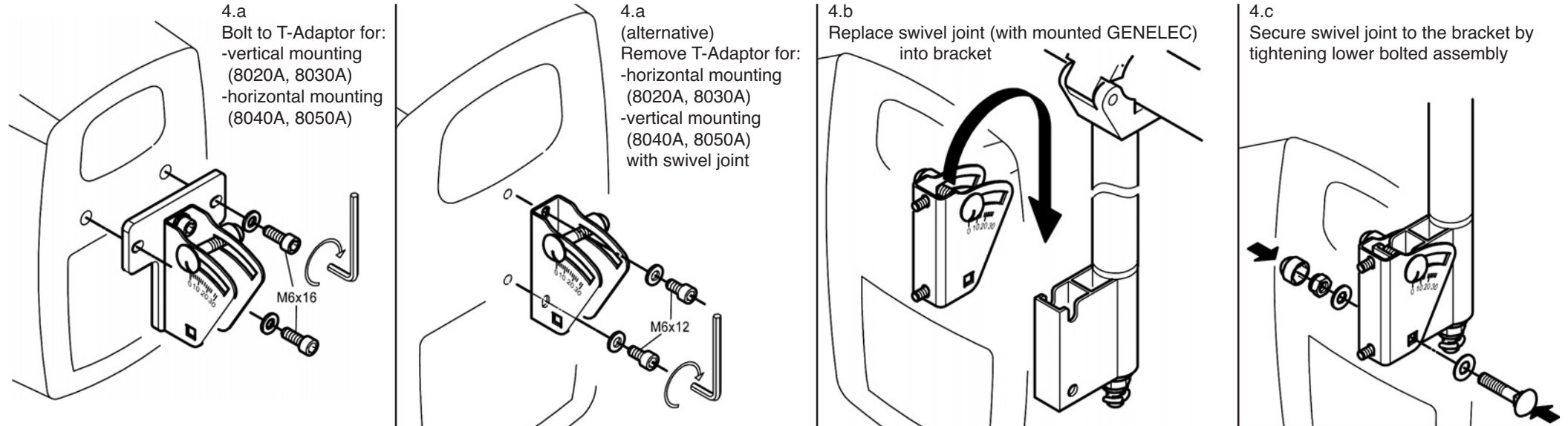


TRUSS-CLAMP MOUNT for GENELEC 8020A, 8030A, 8040A, 8050A

max. load 15 kg, easy handling,
adjustable direction and angle

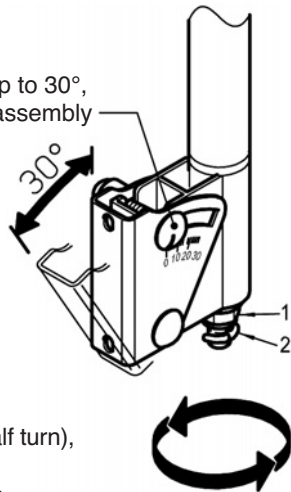
instruction manual

4. installation



5. settings

5.a Continuously adjustable up to 30°, by fixing the upper bolted assembly



5.b Pivoting attachment around vertical axis, by loosening the hex nut (1) (only about a half turn), adjusting the direction and tightening the hex nut again. DO NOT remove the split pin (2)



safety instructions

- Max. load capacity: 15 kg
- Choose a position and mounting method compliant with local building codes and regulations
- For use only by trained installers
- Inspect the condition of the parts and the bolted assemblies regularly
- Do not remove the split pin (s. 5.b.2)
- For indoor use only